

**RP-1006
KEYSWITCH STATION**

**Operation and
Installation Instructions**

6 DITOMAS COURT / COPIAGUE, NEW YORK 11726 / PHONE (516)842-9400, TOLL FREE (800)645-5248, TWX: 510-227-9854
© NAPCO, 1983 W1301 7/83

DESCRIPTION AND OPERATION

The Napco RP-1006 Keyswitch Station provides remote arming and disarming capability, loop status indication, and alarm memory.

Each keyswitch station provides *Mini-Sounder entry delay warning* signal and three *indicators*. The red ARMED indicator lights when the control center is armed, and goes off when it is disarmed. The green STATUS light indicates the condition of the monitored protective loops. It lights and goes off in the manner specified for the control center used. If the control center is equipped with alarm memory, the red MEMORY light goes on when an alarm occurs, and remains on after the control center has been disarmed as a reminder in case a service call is required before the system can be rearmed. Once all circuits are operating normally, the MEMORY will go out when the control center is reset.

USING THE KEYSWITCH

ARMING

- 1) Green STATUS light must indicate all protective circuits good. If not:
(a) Do not arm. (b) Check monitored circuit(s).
- 2) Turn key.
- 3) Red ARMED light goes on.
- 4) Leave before Mini-Sounder alerts end of exit delay and beginning of entry delay period.

DISARMING

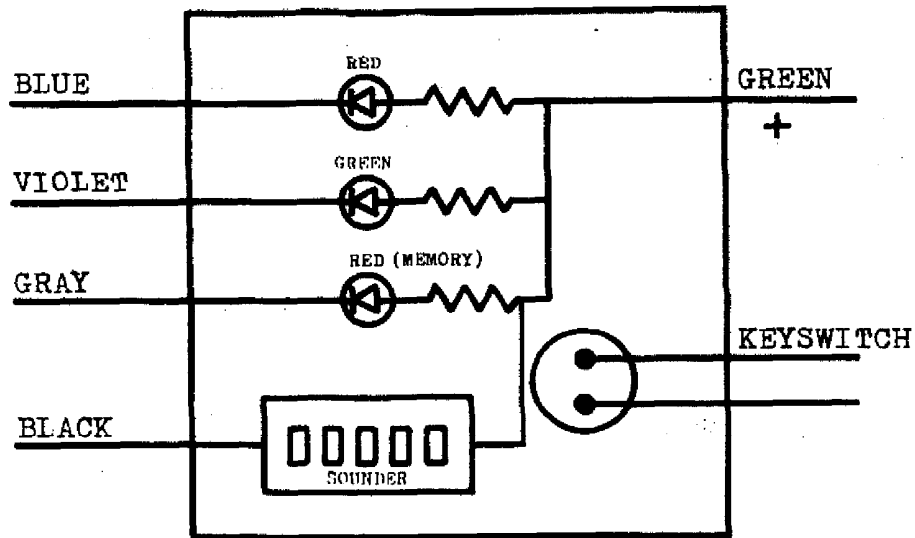
- 1) Mini-Sounder sounds until end of entry delay period.
- 2) Turn key.
- 3) Red ARMED light goes off. System is disarmed.
- 4) Check red MEMORY light. If on, an alarm has occurred.

SPECIFICATIONS

Current Drain	at 12 volts
Red ARMED light	18 mA. (when lit)
Green STATUS light	18 mA. (when lit)
Red MEMORY light	18 mA. (when lit)
Mini-Sounder	12 mA. (while sounding)
Contact Ratings	
Key Relay	500 mA. at 24 volts DC

WIRING

Figure 1: Wiring Diagram



Control Center

All remote stations should be wired in parallel. A run of up to 500 feet can be made using 22 gauge wire. *Many control centers require maintained keyswitch operation, which does not allow more than one keypad or keyswitch.*

For use with a Napco BB-5 or BB-5B, use only *momentary keyswitch* and connect the Keyswitch Station to the control center terminals shown in Table 1 below. Up to 5 combined remote keypad and keyswitch stations can be used. Total current drain from all lights should not exceed 160 milliamps.

Table 1

<u>RP-1006</u>		<u>BB-5 or BB-5B</u>	
<u>WIRE COLOR</u>	<u>FUNCTION</u>	<u>TERMINAL #</u>	<u>FUNCTION</u>
Green	Power (+) Keyswitch	9	Power Out (+)
		Splice to green wire of RP-1006	
	Keyswitch	10	Keyswitch
Blue	ARMED light	11	ARMED light
Violet	STATUS light	12	STATUS light
Gray	MEMORY light	13	MEMORY light
Black	Sounder	15	Sounder

MOUNTING

PREPARE FOR MOUNTING

1. Using screwdriver in slot, pry off cover of keypad assembly. (Figure 2.)
2. Insert keyswitch. (Figure 3.)
3. Connect the two keyswitch wires to the keyswitch terminals of the control center used.

Figure 2

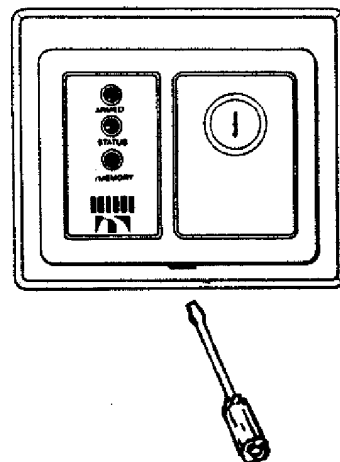
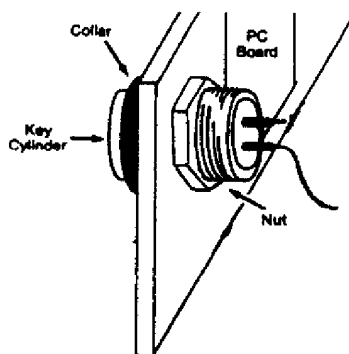


Figure 3

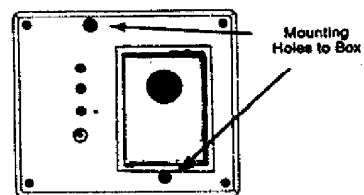


NOTE: Use adjustable pliers to tighten screw.

MOUNTING ON BB-5 or BB-5B CONTROL CENTER DOOR

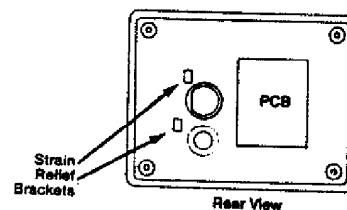
1. Use screwdriver to remove knock-out in front door.
2. Align mounting holes on keyswitch station with mounting slots in cabinet door. (Figure 4.)
3. Secure in place with #6 screws and nuts.
4. Replace keyswitch station cover.

Figure 4



NOTE: There are two brackets on the back of the keyswitch station for securing strain-relief ties. (Figure 5.)

Figure 5



FLUSH MOUNTING IN WALL USING RPB-2

1. Position keyswitch station on Napco RPB-2 box.
2. Use mounting holes to secure station to junction box with #6 screws. (Figure 6.)
3. Replace keyswitch station cover.

Figure 6

NOTE: Alternatively, drill the four outside corner holes (labeled A in Figure 6) for flush mounting directly in wall.

